

Automatic Generation of Thermal Model for 1D-CAE

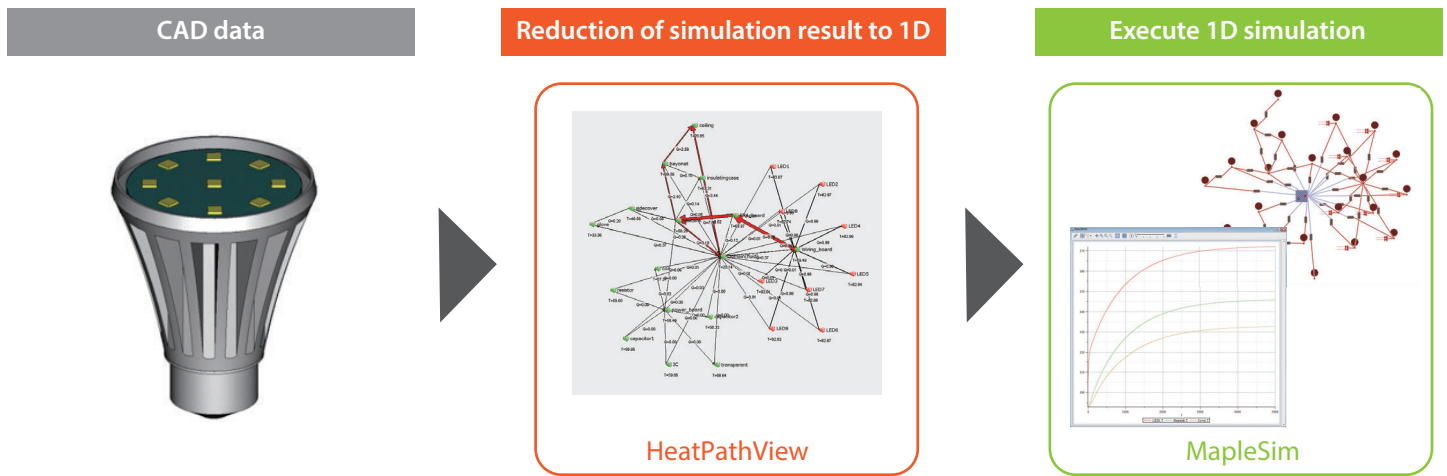
Cooperation between HeatPathView and MapleSim

Function Details

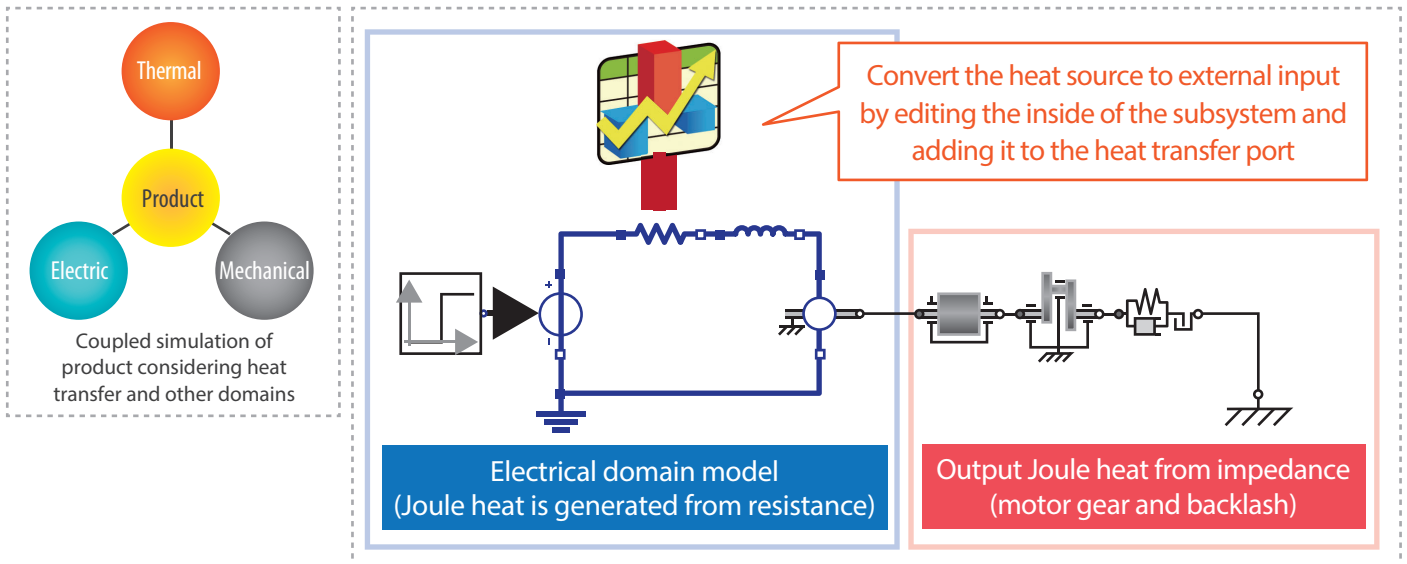
Heat path information generated by HeatPathView can be inherited to MapleSim. By using this function it is possible to construct 1D-CAE model from 3D-CAD data and use it as multi domain heat transfer node.



Data conversion flow chart



Example of multi domain simulation : DC motor



Notes

- Thermal model for 1D-CAE can be generated from 3D CAD data.
- Simulation of the whole system can be performed by combining domains such as electric and mechanical.
- Optimization design can be performed by using optimization tool for the constructed model.